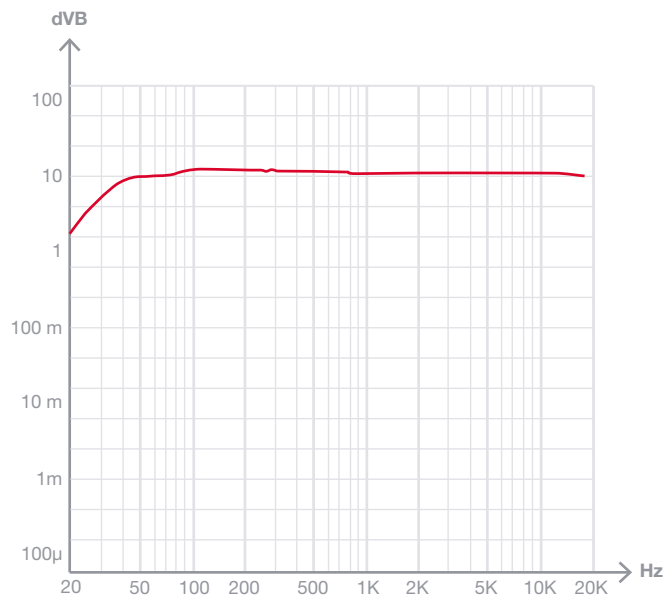
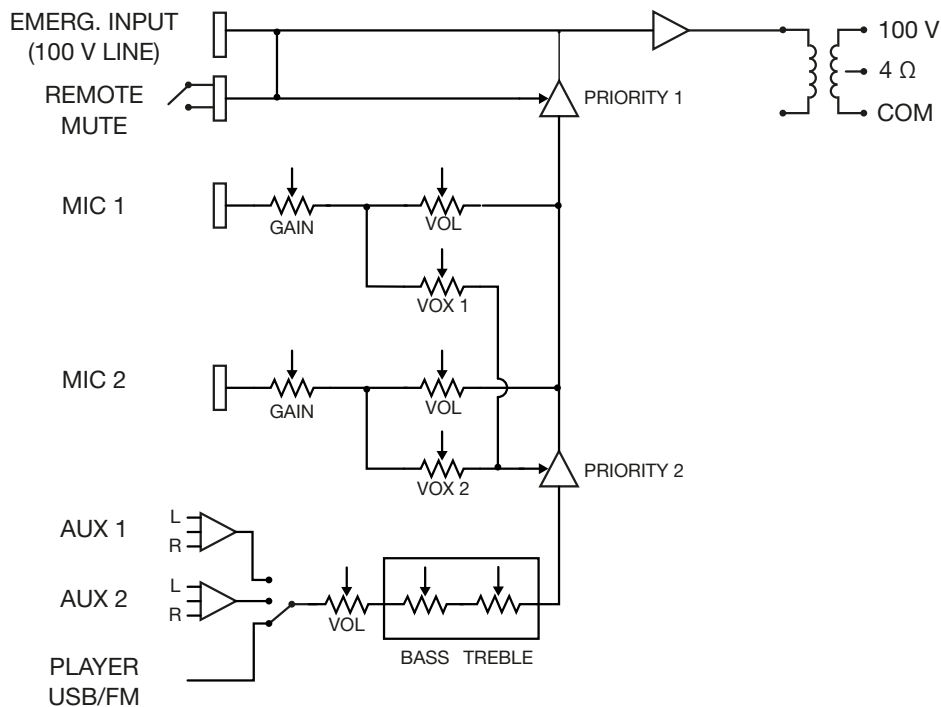


Frequency response



Block diagram



+ Info  
<https://fonestar.com/PROX-30>